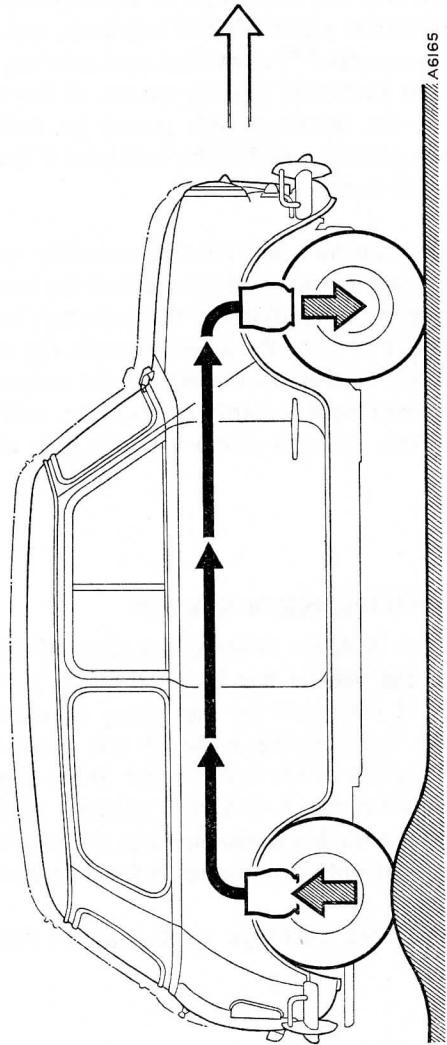


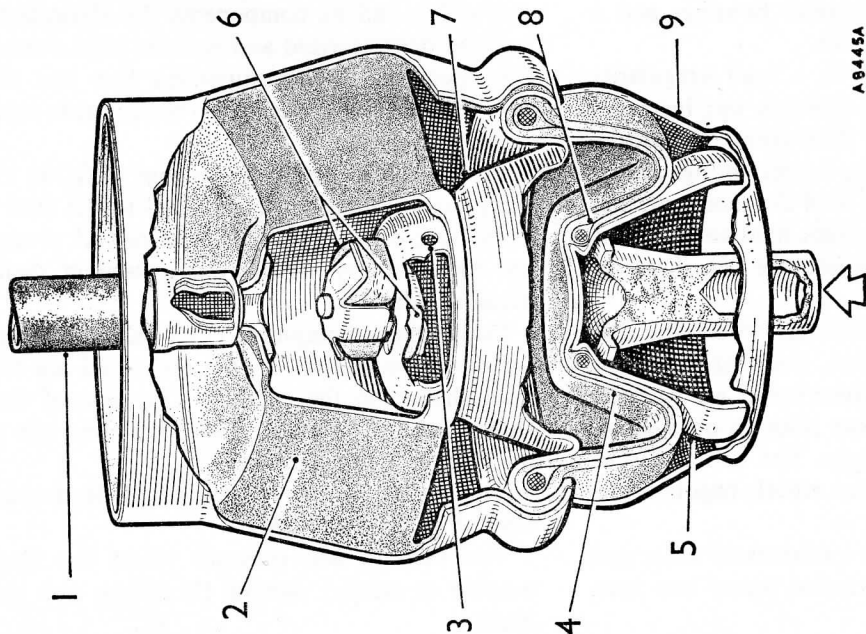
AG166

Fig. H.7
The tail rises in response to upward motion of the front wheel



AG165

Fig. H.8
The nose rises in response to upward motion of the rear wheel



AB445A

Fig. H.6
The hydrolastic displacer unit

1. Interconnecting pipe.
2. Rubber spring.
3. Damper bleed.
4. Butty liner.
5. Tapered piston.
6. Damper valve.
7. Fluid separating member.
8. Rubber diaphragm.
9. Tapered cylinder.