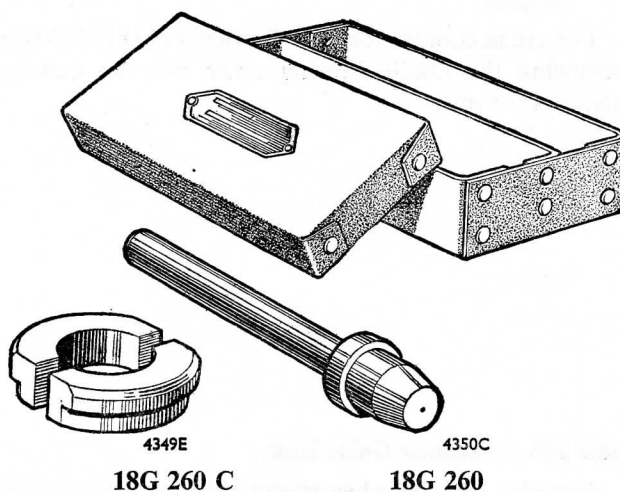


SERVICE TOOLS

18G 260. Hub Bearing Outer Race Remover (basic tool)

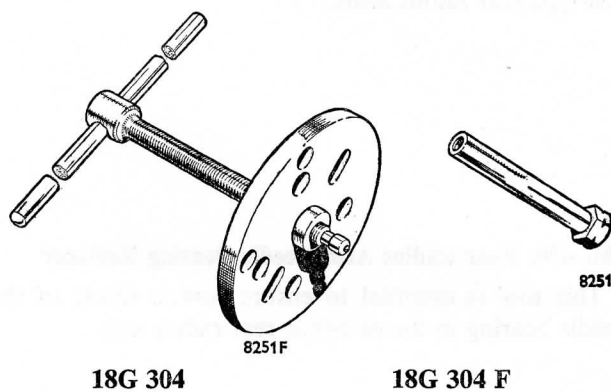
18G 260 C. Hub Bearing Outer Race Remover Adaptor



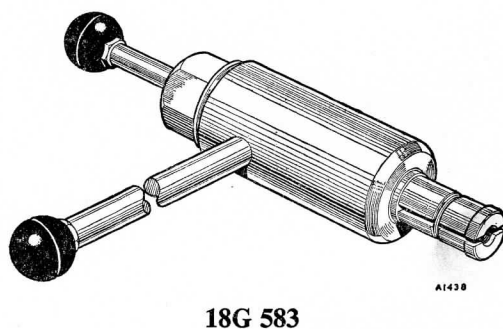
18G 304. Front and Rear Hub Remover (basic tool)

18G 304 F. Front and Rear Hub Remover Bolt Adaptor

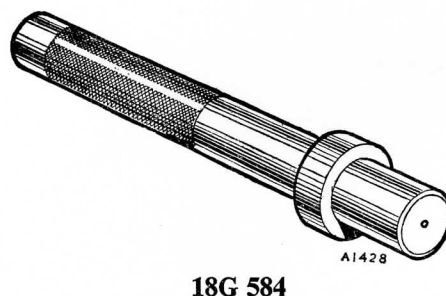
Two of the adaptor bolts 18G 304 F. are required in order to pull the rear hub from the rear radius arm.



18G 583. Rear Radius Arm Bush Remover



18G 584. Rear Radius Arm Bush Replacer



18G 588. Rear Radius Arm Bush Reamer

