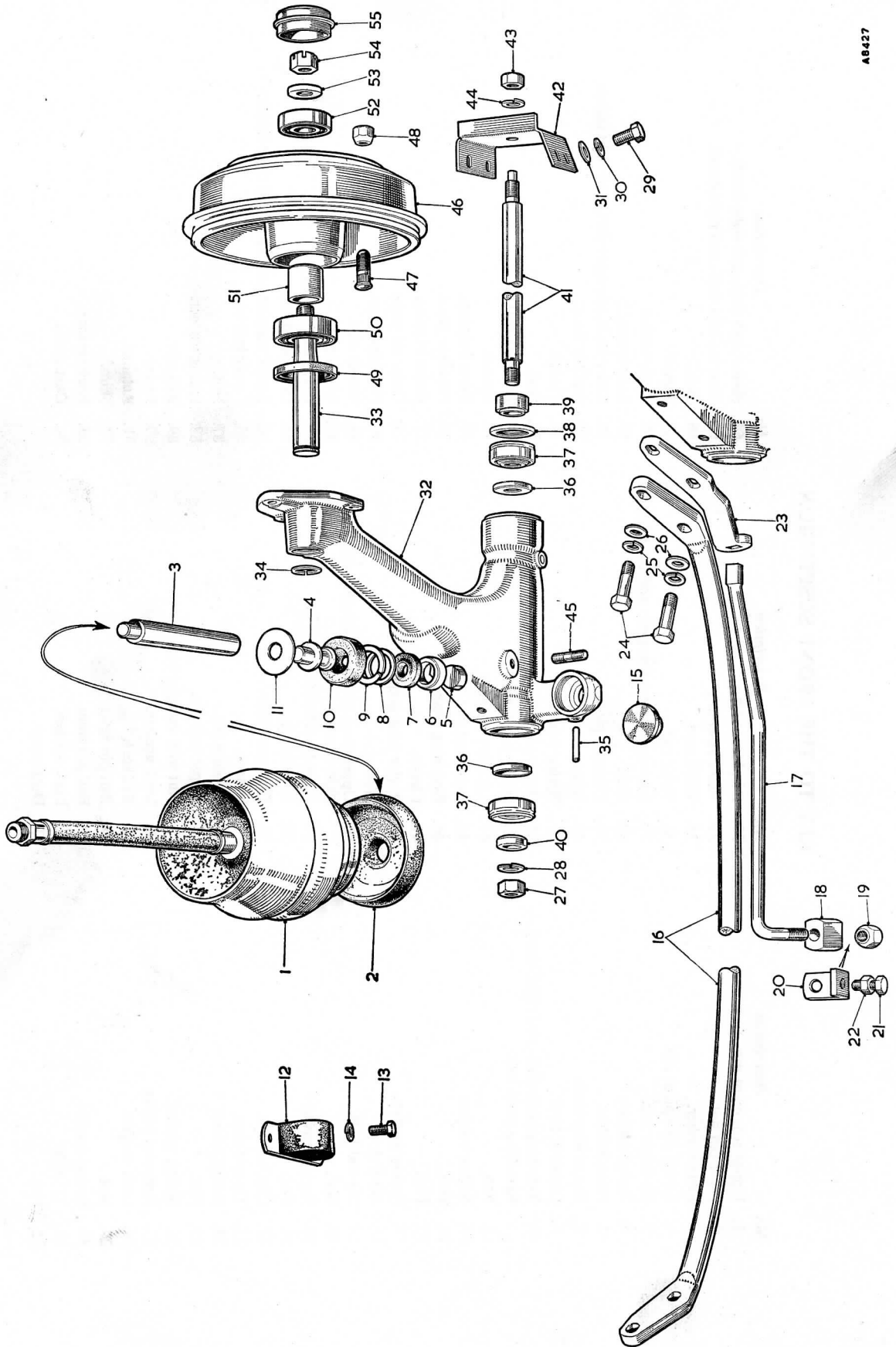


THE REAR SUSPENSION COMPONENTS



AB427