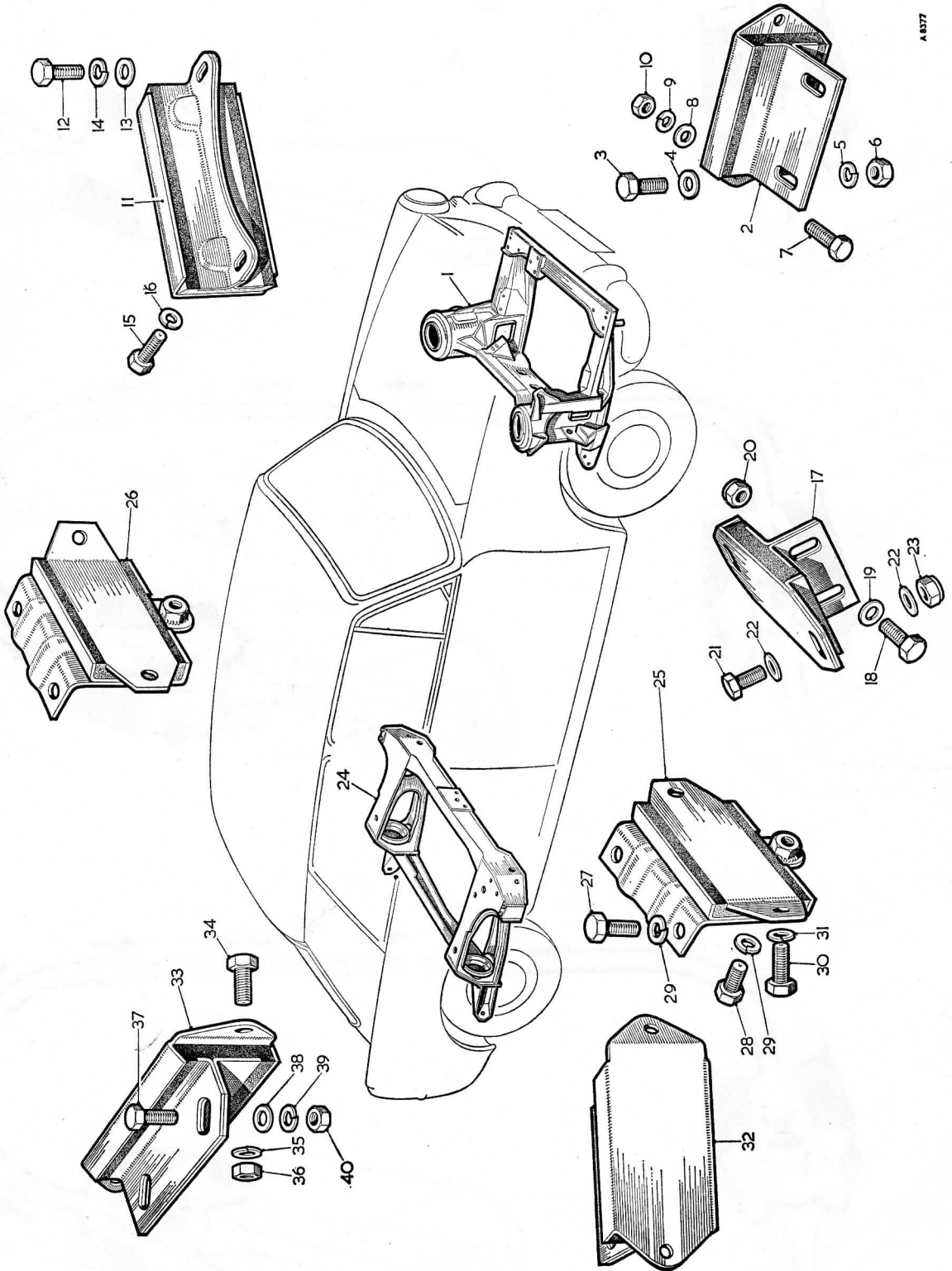


THE SUB-FRAMES AND MOUNTINGS COMPONENTS



A 8377